

**Star Cutter Express
Stock Gundrill Program**

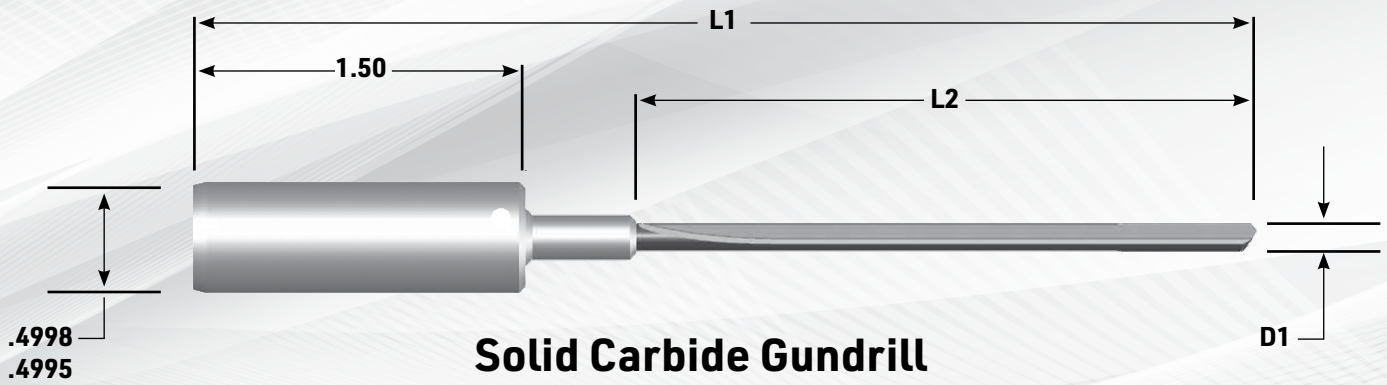
SCGD EXPRESS

Solid Carbide Gundrills

▶ **Same Day Shipping**



Sold and Distributed by Star SU LLC | Contact us **(877) 635-3488**



Solid Carbide Gundrill Standard Inch Steel Shank

Sizes	Drill Dia.		Lengths				Price			Unsupported Length	Coating	
	Fraction/ Wire	D1 (in)	D1 (mm)	L1 (in)	L1 (mm)	L2 (in)	L2 (mm)	1-3 QTY	4-5 QTY	6-12 QTY	L2/D1	Type
35		0.0355	0.902	4.00	102	2.00	51	\$128	\$112	\$97	56	TiSiN
		0.0394	1.000	4.00	102	2.00	51	\$128	\$112	\$97	51	TiSiN
		0.0394	1.000	5.00	127	3.00	76	\$136	\$120	\$105	76	TiSiN
		0.0433	1.100	5.00	127	3.00	76	\$136	\$120	\$105	69	TiSiN
3/64		0.0469	1.191	5.50	140	2.50	64	\$139	\$123	\$108	53	TiSiN
		0.0480	1.219	5.50	140	3.50	89	\$139	\$123	\$108	73	TiSiN
		0.0490	1.245	6.00	152	4.00	102	\$143	\$127	\$112	82	TiSiN
		0.0500	1.270	6.00	152	4.00	102	\$143	\$127	\$112	80	TiSiN
54		0.0510	1.295	6.00	152	4.00	102	\$143	\$127	\$112	78	TiSiN
		0.0550	1.397	6.00	152	4.00	102	\$145	\$129	\$114	73	TiSiN
		0.0550	1.397	8.00	203	6.00	152	\$167	\$151	\$135	109	TiSiN
		0.0570	1.448	6.00	152	4.00	102	\$144	\$128	\$113	70	TiSiN
5/64		0.0591	1.500	5.50	140	3.50	89	\$139	\$123	\$108	59	TiSiN
		0.0591	1.500	6.50	165	4.50	114	\$146	\$130	\$115	76	TiSiN
		0.0620	1.575	6.00	152	4.00	102	\$144	\$128	\$113	65	TiSiN
		0.0625	1.588	5.00	127	3.00	76	\$137	\$121	\$106	48	TiSiN
1/16		0.0625	1.588	7.00	178	5.00	127	\$159	\$143	\$128	80	TiSiN
		0.0690	1.753	6.00	152	4.00	102	\$143	\$126	\$111	58	TiSiN
		0.0690	1.753	8.00	203	6.00	152	\$163	\$147	\$132	87	TiSiN
		0.0709	1.800	6.00	152	4.00	102	\$143	\$126	\$111	56	TiSiN
5/94		0.0709	1.800	8.00	203	6.00	152	\$163	\$147	\$132	85	TiSiN
		0.0781	1.984	6.00	152	4.00	102	\$145	\$128	\$113	51	TiSiN
		0.0781	1.984	10.00	254	8.00	203	\$183	\$167	\$152	102	TiSiN
		0.0787	2.000	6.00	152	4.00	102	\$145	\$128	\$113	51	TiSiN
45		0.0787	2.000	10.00	254	8.00	203	\$183	\$167	\$152	102	TiSiN
		0.0820	2.083	6.00	152	4.00	102	\$145	\$128	\$113	49	TiSiN
		0.0820	2.083	10.00	254	8.00	203	\$183	\$167	\$152	98	TiSiN
		0.0860	2.184	6.00	152	4.00	102	\$145	\$128	\$113	47	TiSiN
3/32		0.0866	2.200	6.00	152	4.00	102	\$145	\$128	\$113	46	TiSiN
		0.0866	2.200	10.00	254	8.00	203	\$183	\$167	\$152	92	TiSiN
		0.0937	2.380	6.00	152	4.00	102	\$147	\$131	\$116	43	TiSiN
		0.0937	2.380	10.00	254	8.00	203	\$187	\$171	\$156	85	TiSiN
39		0.0984	2.500	6.00	152	4.00	102	\$147	\$131	\$116	41	TiSiN
		0.0984	2.500	10.00	254	8.00	203	\$187	\$171	\$156	81	TiSiN
		0.0995	2.527	6.00	152	4.00	102	\$147	\$131	\$116	40	TiSiN
		0.0995	2.527	10.00	254	8.00	203	\$187	\$171	\$156	80	TiSiN
7/32	0.1094	2.779	6.00	152	4.00	102	\$147	\$131	\$116	37	TiSiN	

Sizes	Drill Dia.		Lengths				Price			Unsupported Length	Coating
	Fraction/ Wire	D1 (in)	D1 (mm)	L1 (in)	L1 (mm)	L2 (in)	L2 (mm)	1-3 QTY	4-5 QTY	6-12 QTY	L2/D1
7/32	0.1094	2.779	10.00	254	8.00	203	\$187	\$171	\$156	73	TiSiN
	0.1102	2.800	8.00	203	6.00	152	\$171	\$155	\$140	54	TiSiN
	0.1102	2.800	11.00	279	9.00	229	\$190	\$174	\$159	82	TiSiN
	0.1181	3.000	8.50	216	6.50	165	\$177	\$161	\$146	55	TiSiN
	0.1181	3.000	11.50	292	9.50	241	\$196	\$180	\$165	80	TiSiN
	0.1250	3.175	10.00	254	8.00	203	\$191	\$175	\$160	64	TiSiN
	0.1260	3.200	11.00	279	9.00	229	\$209	\$193	\$178	71	TiALN
	0.1378	3.500	11.00	279	9.00	229	\$209	\$193	\$178	65	TiALN
9/64	0.1406	3.571	11.00	279	9.00	229	\$169	\$159	\$146	64	TiALN
5/32	0.1406	3.571	11.00	279	9.00	229	\$209	\$193	\$178	64	TiALN
	0.1562	3.967	11.00	279	9.00	229	\$214	\$198	\$183	58	TiALN
	0.1575	4.000	11.00	279	9.00	229	\$216	\$200	\$185	57	TiALN
	0.1719	4.366	11.00	279	9.00	229	\$221	\$205	\$190	52	TiALN
	0.1772	4.500	11.00	279	9.00	229	\$221	\$205	\$190	51	TiALN
	0.1875	4.763	11.00	279	9.00	229	\$226	\$210	\$195	48	TiALN
	0.1969	5.000	12.00	305	10.00	254	\$244	\$228	\$212	51	TiALN



Star Cutter Company
23461 Industrial Park Drive
Farmington Hills, MI 48335
Tel.: 877 635 3488
sales@starcutter.com
www.starcutter.com

Sold and distributed by **Star SU LLC**

REV 01.25