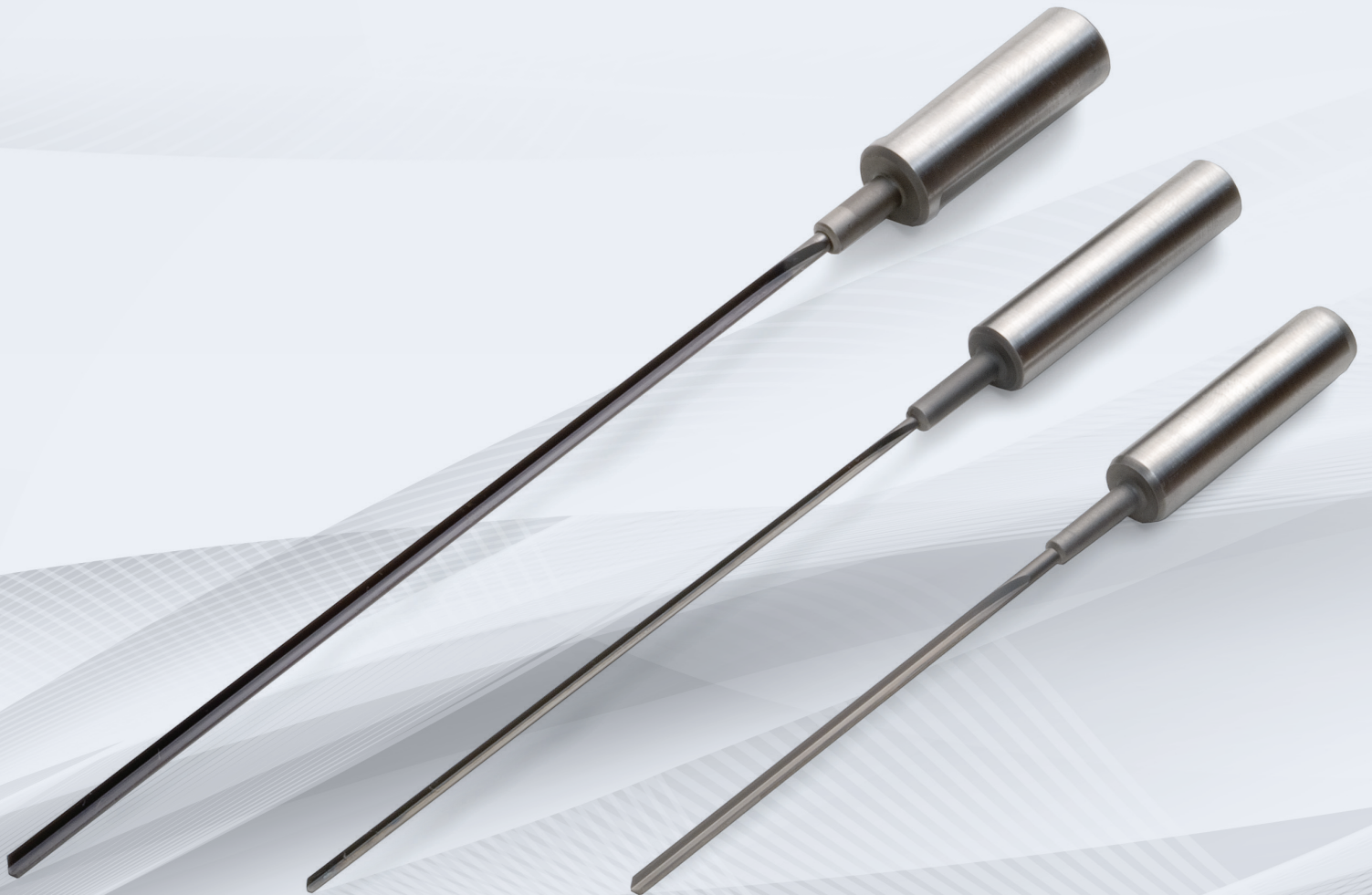


**Star Cutter Express  
Stock Gundrill Program**

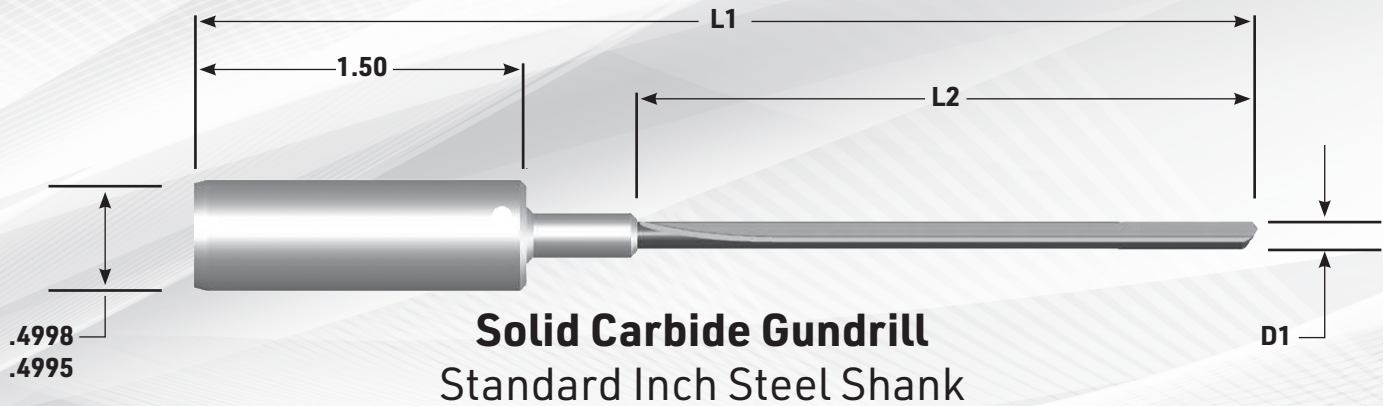
# SCGD EXPRESS

**Solid Carbide Gundrills**

**▶ Same Day Shipping**



**Sold and Distributed by Star SU LLC | Contact us (877) 635-3488**



Sizes	Drill Dia.		Lengths				Price			Unsupported Length	Coating	
	Fraction/ Wire	D1 (in)	D1 (mm)	L1 (in)	L1 (mm)	L2 (in)	L2 (mm)	1-3 QTY	4-5 QTY	6-12 QTY	L2/D1	Type
35		0.0355	0.902	4.00	102	2.00	51	\$107	\$97	85	56	TiSiN
		0.0394	1.000	4.00	102	2.00	51	\$107	\$97	\$85	51	TiSiN
		0.0394	1.000	5.00	127	3.00	76	\$114	\$104	\$92	76	TiSiN
		0.0433	1.100	5.00	127	3.00	76	\$114	\$104	\$92	69	TiSiN
3/64		0.0469	1.191	5.50	140	2.50	64	\$117	\$107	\$95	53	TiSiN
		0.0480	1.219	5.50	140	3.50	89	\$117	\$107	\$95	73	TiSiN
		0.0490	1.245	6.00	152	4.00	102	\$121	\$111	\$99	82	TiSiN
		0.0500	1.270	6.00	152	4.00	102	\$121	\$111	\$99	80	TiSiN
54		0.0510	1.295	6.00	152	4.00	102	\$121	\$111	\$99	78	TiSiN
		0.0550	1.397	6.00	152	4.00	102	\$122	\$112	\$100	73	TiSiN
54		0.0550	1.397	8.00	203	6.00	152	\$143	\$133	\$121	109	TiSiN
		0.0570	1.448	6.00	152	4.00	102	\$121	\$111	\$99	70	TiSiN
		0.0591	1.500	5.50	140	3.50	89	\$117	\$107	\$95	59	TiSiN
		0.0591	1.500	6.50	165	4.50	114	\$123	\$113	\$101	76	TiSiN
		0.0620	1.575	6.00	152	4.00	102	\$121	\$111	\$99	65	TiSiN
1/16		0.0625	1.588	5.00	127	3.00	76	\$115	\$105	\$93	48	TiSiN
1/16		0.0625	1.588	7.00	178	5.00	127	\$135	\$125	\$113	80	TiSiN
		0.0690	1.753	6.00	152	4.00	102	\$120	\$110	\$98	58	TiSiN
		0.0690	1.753	8.00	203	6.00	152	\$138	\$128	\$116	87	TiSiN
		0.0709	1.800	6.00	152	4.00	102	\$120	\$110	\$98	56	TiSiN
5/64		0.0709	1.800	8.00	203	6.00	152	\$138	\$128	\$116	85	TiSiN
		0.0781	1.984	6.00	152	4.00	102	\$122	\$112	\$100	51	TiSiN
5/94		0.0781	1.984	10.00	254	8.00	203	\$157	\$147	\$135	102	TiSiN
		0.0787	2.000	6.00	152	4.00	102	\$122	\$112	\$100	51	TiSiN
		0.0787	2.000	10.00	254	8.00	203	\$157	\$147	\$135	102	TiSiN
45		0.0820	2.083	6.00	152	4.00	102	\$122	\$112	\$100	49	TiSiN
45		0.0820	2.083	10.00	254	8.00	203	\$157	\$147	\$135	98	TiSiN
44		0.0860	2.184	6.00	152	4.00	102	\$122	\$112	\$100	47	TiSiN
		0.0866	2.200	6.00	152	4.00	102	\$122	\$112	\$100	46	TiSiN
		0.0866	2.200	10.00	254	8.00	203	\$157	\$147	\$135	92	TiSiN
3/32		0.0937	2.380	6.00	152	4.00	102	\$122	\$112	\$100	43	TiSiN
3/32		0.0937	2.380	10.00	254	8.00	203	\$157	\$147	\$135	85	TiSiN
		0.0984	2.500	6.00	152	4.00	102	\$122	\$112	\$100	41	TiSiN
		0.0984	2.500	10.00	254	8.00	203	\$157	\$147	\$135	81	TiSiN
39		0.0995	2.527	6.00	152	4.00	102	\$122	\$112	\$100	40	TiSiN
39		0.0995	2.527	10.00	254	8.00	203	\$157	\$147	\$135	80	TiSiN
7/32		0.1094	2.779	6.00	152	4.00	102	\$122	\$112	\$100	37	TiSiN

Sizes	Drill Dia.		Lengths				Price			Unsupported Length	Coating
	Fraction/ Wire	D1 (in)	D1 (mm)	L1 (in)	L1 (mm)	L2 (in)	L2 (mm)	1-3 QTY	4-5 QTY	6-12 QTY	L2/D1
7/32	0.1094	2.779	10.00	254	8.00	203	\$157	\$147	\$135	73	TiSiN
	0.1102	2.800	8.00	203	6.00	152	\$143	\$133	\$121	54	TiSiN
	0.1102	2.800	11.00	279	9.00	229	\$161	\$151	\$139	82	TiSiN
	0.1181	3.000	8.50	216	6.50	165	\$152	\$142	\$130	55	TiSiN
	0.1181	3.000	11.50	292	9.50	241	\$170	\$160	\$148	80	TiSiN
	0.1250	3.175	10.00	254	8.00	203	\$164	\$154	\$142	64	TiSiN
9/64	0.1260	3.200	11.00	279	9.00	229	\$164	\$154	\$142	71	AlTiN
	0.1378	3.500	11.00	279	9.00	229	\$164	\$154	\$142	65	AlTiN
	0.1406	3.571	11.00	279	9.00	229	\$164	\$154	\$142	64	AlTiN
5/32	0.1562	3.967	11.00	279	9.00	229	\$166	\$156	\$144	58	AlTiN
	0.1575	4.000	11.00	279	9.00	229	\$168	\$158	\$146	57	AlTiN
	0.1719	4.366	11.00	279	9.00	229	\$178	\$168	\$156	52	AlTiN
	0.1772	4.500	11.00	279	9.00	229	\$184	\$174	\$162	51	AlTiN
	0.1875	4.763	11.00	279	9.00	229	\$175	\$165	\$153	48	AlTiN
	0.1969	5.000	12.00	305	10.00	254	\$195	\$185	\$173	51	AlTiN



**Star Cutter Company**  
23461 Industrial Park Drive  
Farmington Hills, MI 48335  
Tel.: 877 635 3488  
sales@starcutter.com  
www.starcutter.com

Sold and distributed by **Star SU LLC**